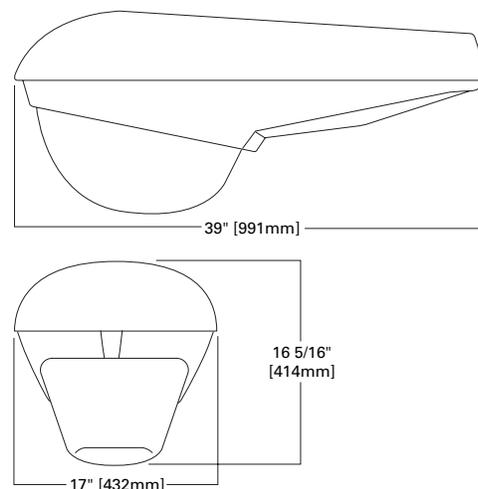


OVL ROADWAY LUMINAIRE

ROADWAY LUMINAIRE

1000W
MH/HPS

STREETWORKS™

**HOUSING**

Precision die cast aluminum housing designed for optimum rigidity and durability with minimum weight and clean smooth unbroken lines. Standard grey polyester powder coat finish. Optional NEMA twistlock photocontrol receptacle available.

SOCKET

Adjustable mogul-base porcelain socket.

DOOR

Die-cast aluminum door frame with integral hinges for hands free installation. ANSI wattage/source label.

LENS

Prismatic refractor of heat-resistant borosilicate glass is designed and molded to provide precise control and high system efficiency.

REFLECTOR

Reflector is precision hydroformed aluminum highly polished by the Alzak process and is designed for optimum light control and efficiency.

BALLAST ASSEMBLY

Hard mounted ballast with encapsulated starter for protection from environmental abuse. Standard two position tunnel type compression terminal block. Optional ballast tray available.

MOUNTING

Integral slipfitter designed to accommodate 2" mounting arm and is adjustable for vertical leveling within 5° from tenon, birdguard seals around pipe opening.

EPA:

Effective Projective Area: 2.65

SHIPPING DATA

Approximate Net Weight:

76 lbs. (34.47 kgs.)

ORDERING INFORMATION

SAMPLE NUMBER: OVL91SWW4E

PRODUCT FAMILY	LAMP WATTAGE	LAMP TYPE	BALLAST TYPE ¹	VOLTAGE ²	DISTRIBUTION	CUTOFF	OPTIONS + ACCESSORIES (See Below)
OVL	91=1000W	S=High Pressure Sodium M=Metal Halide V=Mercury	W=CWA	2=120V 0=208V 4=240V 7=277V 8=480V F=120/240 wired 120V P=240 w/PCR wired 120V W=Multi-Tap wired 120V N=Multi-Tap wired 277V V=Multi-Tap wired 240V	3=Type III 4=Type IV	E=MSCO	

OPTIONS + ACCESSORIES [Must be listed in the order shown and separated by a dash]**OPTIONS** (add as suffix)

1=Single Fuse, Internally Mounted (120 or 277V)
2=Double Fuse, Internally Mounted (208, 240, or 480V)
4=Photocontrol Receptacle
U=UL/CSA Listed
WH=White
BK=Black
BZ=Bronze

ACCESSORIES (order separately)

RA1013=Photocontrol Shorting Cap
RA1014=120V Photocontrol
RA1015=208V-277V Photocontrol
RA1016=105V-285V Photocontrol
OA1028=Field Installed PCR Kit

OPTIONAL COLORS [Standard color is grey, other finish colors available. Consult your Cooper Lighting representative]

WH
White



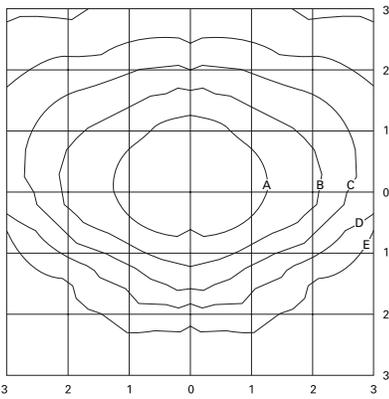
BK
Black



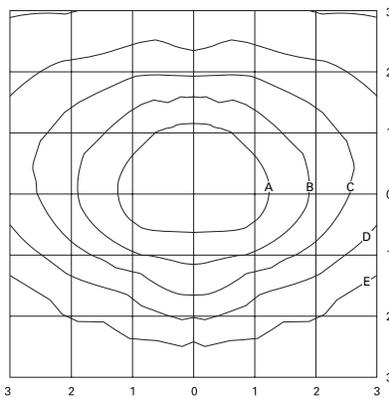
BZ
Bronze

NOTE: 1 Metal Halide ballast is designed to operate both Metal Halide and Mercury Vapor lamps.

PHOTOMETRICS [Complete IES files available at www.cooperlighting.com]



OVL91S3B.IES
 1000 Watt HPS
 130,000 Lumen Clear Lamp
 Type III-Short Semi-Cutoff



OVL91S4E.IES
 1000 Watt HPS
 130,000 Lumen Clear Lamp
 Type IV-Medium Semi-Cutoff

FOOTCANDLE TABLE

Select mounting height and read across for footcandle values of each isofootcandle line. Distance in units of mounting height.

Mounting Height	Footcandle Values for Isofootcandle Lines				
	A	B	C	D	E
OVL91S3B.IES					
25'	9.80	3.92	1.96	0.98	0.39
30'	6.80	2.72	1.36	0.68	0.27
35'	5.00	2.00	1.00	0.50	0.20
OVL91S4E.IES					
25'	9.80	3.92	1.96	0.98	0.39
30'	6.80	2.72	1.36	0.68	0.27
35'	5.00	2.00	1.00	0.50	0.20